

Square-to-Round Duct Transition OptiClean™ Negative Air Machine Model FN1SXF



Installation Instructions


NOTE: Read the entire instruction manual before starting the installation.

SAFETY CONSIDERATIONS

Improper installation, adjustment, alteration, service, maintenance, or use can cause explosion, fire, electrical shock, or other conditions which may cause death, personal injury or property damage. Consult a qualified installer, service agency, or your distributor or branch for information or assistance. The qualified installer or agency must use factory-authorized kits or accessories when modifying this product. Refer to the individual instructions packaged with kits or accessories when installing.

Follow all safety codes. Wear safety glasses, protective clothing and work gloves. Have a fire extinguisher available. Read these instructions thoroughly and follow all warnings or cautions included in literature and attached to the unit. Consult local building codes and the current editions of the National Electrical Code (NEC) NFPA 70.

In Canada, refer to the current editions of the Canadian Electrical Code CSA C22.1.

Recognize safety information. This is the safety-alert symbol  When you see this symbol on the unit and in instruction manuals, be alert to the potential for personal injury.

Understand the signal words DANGER, WARNING, and CAUTION. These words are used with the safety-alert symbol. DANGER identifies the most serious hazards which will result in severe personal injury or death. WARNING signifies hazards which could result in personal injury or death. CAUTION is used to identify unsafe practices which may result in minor personal injury or product and property damage. NOTE is used to highlight suggestions which will result in enhanced installation, reliability, or operation.

Introduction

The purpose of the duct transition installation kit is to allow round ductwork to be used on the OptiClean™ Negative Air Machine. This kit has a built-in guard, which should be installed prior to powering up the unit.

Caster assembly installation kit allows easy movement if the unit is in air scrubber mode and not connected to a duct.

NOTE: This kit will provide the necessary transition panel and hardware to adapt the unit rectangular opening to a standard 10" round duct connection. Please see detailed dimensions in [Fig. 1](#) for actual collar dimensions.

WARNING

ELECTRICAL OPERATION HAZARD

Failure to follow this warning result in personal injury or death.
Before installing or servicing unit, always turn off all power to unit.
There may be more than 1 disconnect switch.

WARNING

MOVING PARTS & SHARP EDGES HAZARD

Failure to follow this warning could result in personal injury.
Do not place objects on top of the discharge plenum.
Keep hands and face away.
Rotating blower wheel can cause serious injury.
Wear gloves when handling.

CAUTION

CUT HAZARD

Failure to follow this caution may result in personal injury.
Sheet metal parts may have sharp edges or burrs. Use care and wear appropriate protective clothing, safety glasses and gloves when handling parts.

WARNING

PORTABLE UNIT AND METAL SHARP EDGES HAZARD

Failure to follow this Warning could cause personal injury or death.
This unit must be used in a location where unsupervised children are not allowed to play. The unit is portable, and areas inside and under the unit could cause personal injury. If the unit is used in a horizontal configuration, physical barriers must be installed around the unit to prevent unauthorized access.

WARNING

PERSONAL PROTECTION

This appliance is not intended for use by persons (including children) with reduced physical, sensory or mental capabilities, or lack of experience and knowledge, unless they have been given supervision or instruction concerning use of the appliance by a person responsible for their safety.

Description and Usage

The Square-to-Round Transition, consists of:

- rectangular panel with a pre-attached round duct collar
- hardware bag with self-tapping screws and instructions.

Installation

To install Square-to-Round Transition P/N 346303-401:

1. Turn off all electrical supply to the unit.
2. Remove the hardware bag from the carton.
3. Place the panel over the unit's supply air opening. See Fig. 2.
4. Fasten the panel to the supply air out-turned flange using the provided hardware. See Fig. 2.
5. Ensure any duct connections made to the round collar are attached using fasteners. This will ensure the ductwork does not become unattached.
6. Make sure to seal field supplied duct to square to round transition. A professional grade aluminum foil tape is recommended.

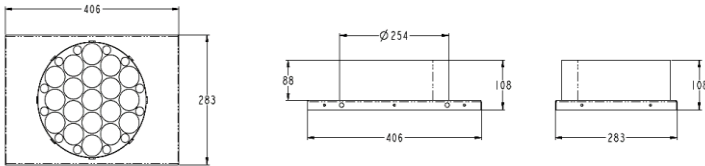


Fig. 1 – Square-to-Round Dimensional Detail

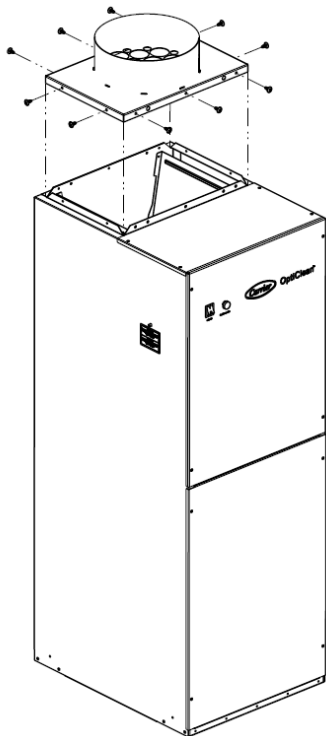


Fig. 2 – Installation Detail

Description and Usage

The Caster assembly consists, consists of:

- rectangular panel with a pre-attached caster wheels
- hardware bag with self-tapping screws and instructions.

Installation

To install Caster Wheel Assembly P/N 321834-800C-AS

1. Turn off all electrical supply to the unit.
2. Remove the hardware bag from the carton.
3. Place the Caster Wheel Assembly at the bottom of the unit See Fig. 3.
4. Fasten the Caster Wheel Assembly to the bottom . See Fig. 3.
5. Ensure any duct connections made to the round collar are attached using fasteners. This will ensure the ductwork does not become unattached.
6. Make sure to seal field supplied duct to square to round transition. A professional grade aluminum foil tape is recommended

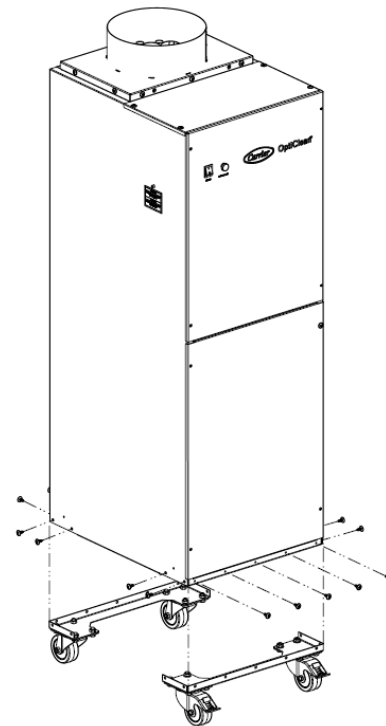


Fig. 3 – Installation Detail